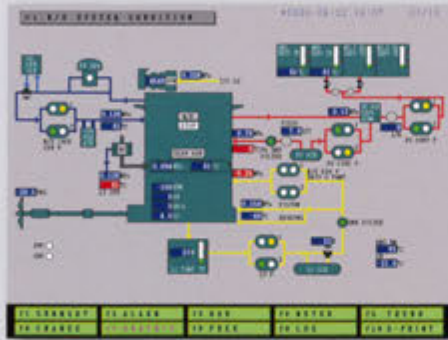
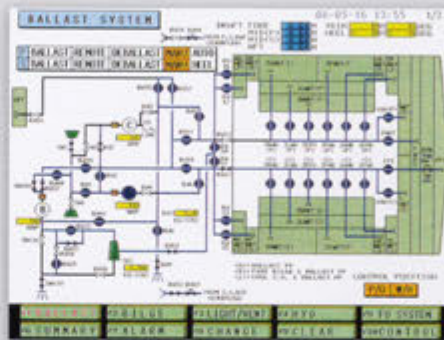


- 64,000 full color display, photograph, Bitmap are available.
- Japanese / English change over

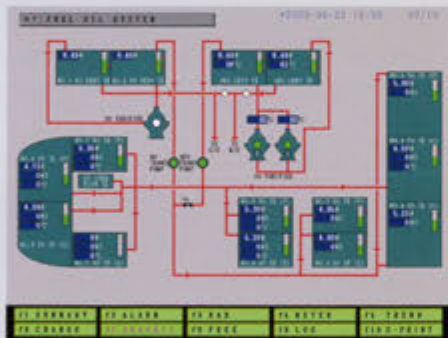
■ Mimic Graphic (1)



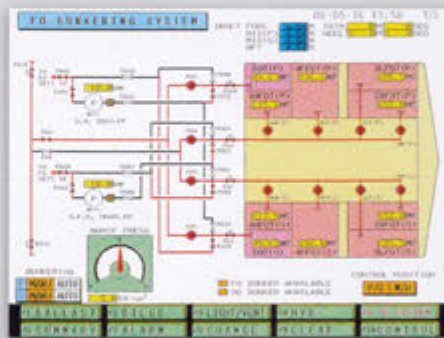
■ Mimic Graphic (4)



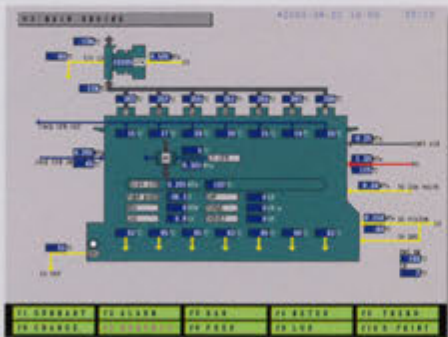
■ Mimic Graphic (2)



■ Mimic Graphic (5)



■ Mimic Graphic (3)



■ Mimic Graphic (6)

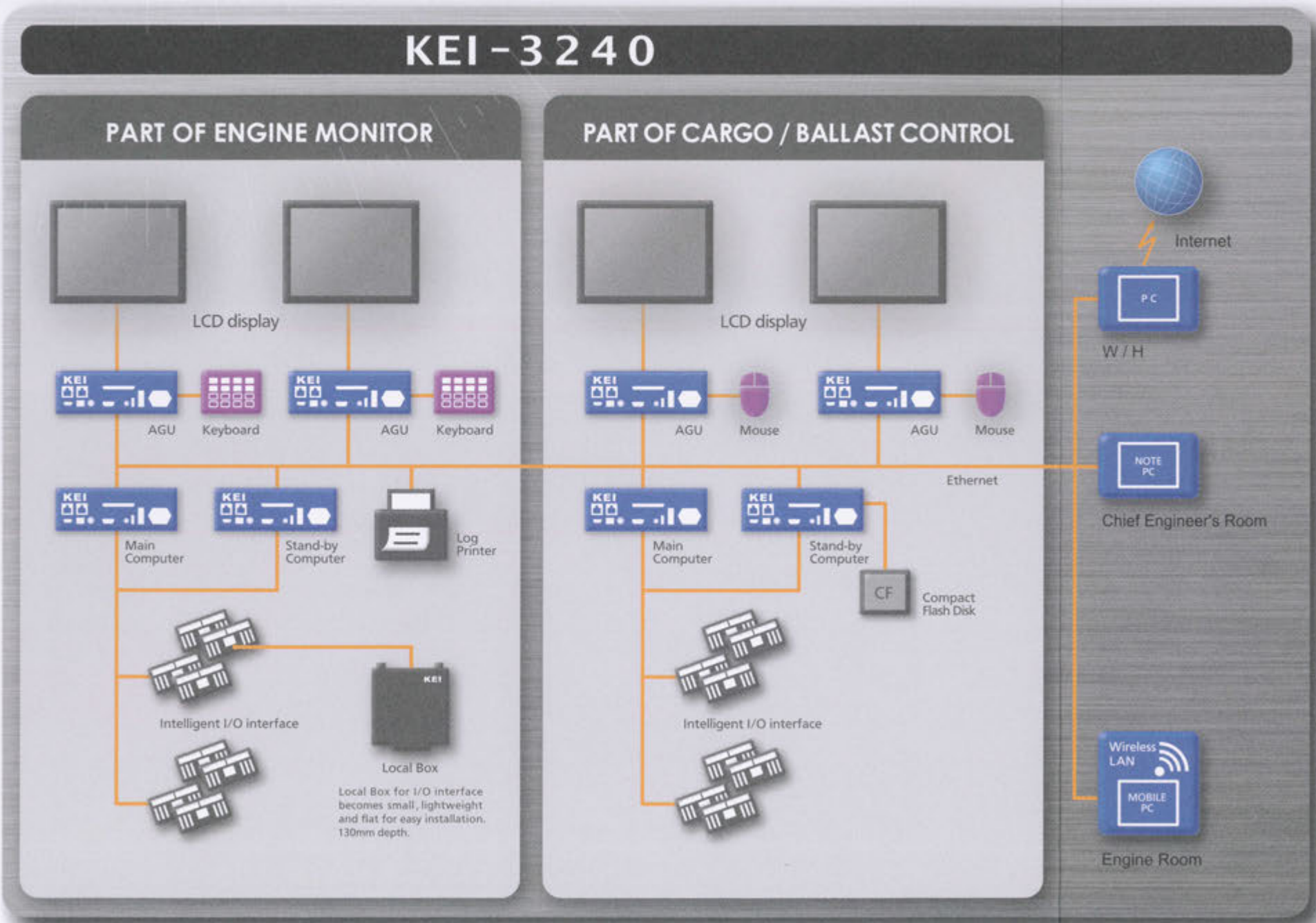


IAS Integrated Automation System

Next Generation Integrated Automation System



Integrated Automation System



Integrated Machinery and Hull part

All the data of Machinery and Hull part can be obtained and controlled at any Visual Display Unit.

PC to Machinery / Hull Data

A 100Mbps Ethernet is used as network. Thus allowing PC (Personal Computer) in accommodation to connect directly. All screens of Machinery / Hull can be obtained at PC.

Wireless LAN

The access point for Wireless LAN can be arranged in various places like the engine room. Mobile PC shall provide free access to all the Machinery / Hull screens.

Hardcopy

The log printer shall produce ordinary logbook and Hardcopy of all the screens. Color and Monochrome are available.

Compact Flash Disk

Compact Flash Disk is available as data storage. The Sea Trial Data and Chief engineer's log can be stored. Computer processing of data becomes easy.

I / O can be installed in Any Place

Lightweight and small profile I/O interface can be installed in any place. They can be placed inside of Main Switch Board/Group Starter Panel, that eliminates wiring cost.

Japanese / English change over

Language on the screen can be selected and changed between Japanese and English for each VDU(Visual Display Unit).

Photographs in full color

Real measured value can be superimposed on Machinery / Hull color photograph so that much more real screen can be obtained.